

Part number

CAP 06 L



Brief description:

surface mounting housings with 1 lever, size "44.27", Pg21, metal version, IP66

Product description

Version	metal version
Series	surface mounting housings with single lever
Product type	with 1 lever
Style	high construction
Family	CLASS enclosures
Size	size "44.27"

Technical data

Operating temperature range (min, max)	-40°C ... +125°C
Material	metal
IP degree of protection	IP66 (and IP69K DIN 40050 - 9)
Cable entry	Pg21

Further technical details

Weight	320,00 g
---------------	----------

Approvals / Standards

Quality mark	 (type:4/4X/12),  , EAC
Conformity	CQC, CE

General ordering information

EAN13 code	8015747007351
Tariff number	85369095

Packaging Information

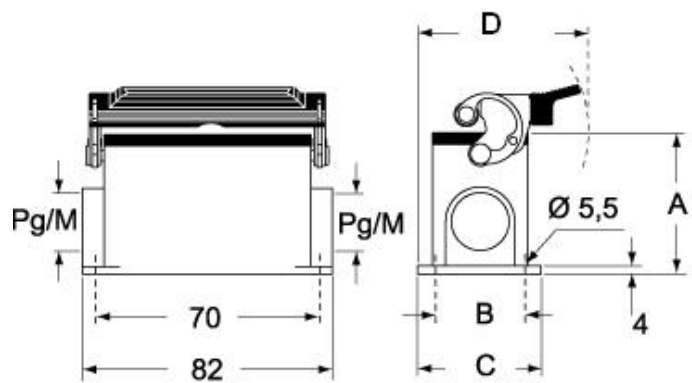
Packaging length	475,00 mm
Packaging height	210,00 mm
Packaging width	140,00 mm
Packaging weight	3,20 kg
Packaging volume	13,97 dm ³
Packaging description	Carton box
Packaging quantity	10 Pcs
Packaging EAN code	8015747236065
Sub-packaging weight	1,60 kg
Sub-packaging description	Plastic pakaging
Sub-packaging quantity	5 Pcs
Sub-packaging EAN barcode	8015747007368

Part number

CAP 06 L

Catalogue drawings

CHP L CAP L - MHP L MAP L



CHP LS CAP LS - MHP LS MAP LS

